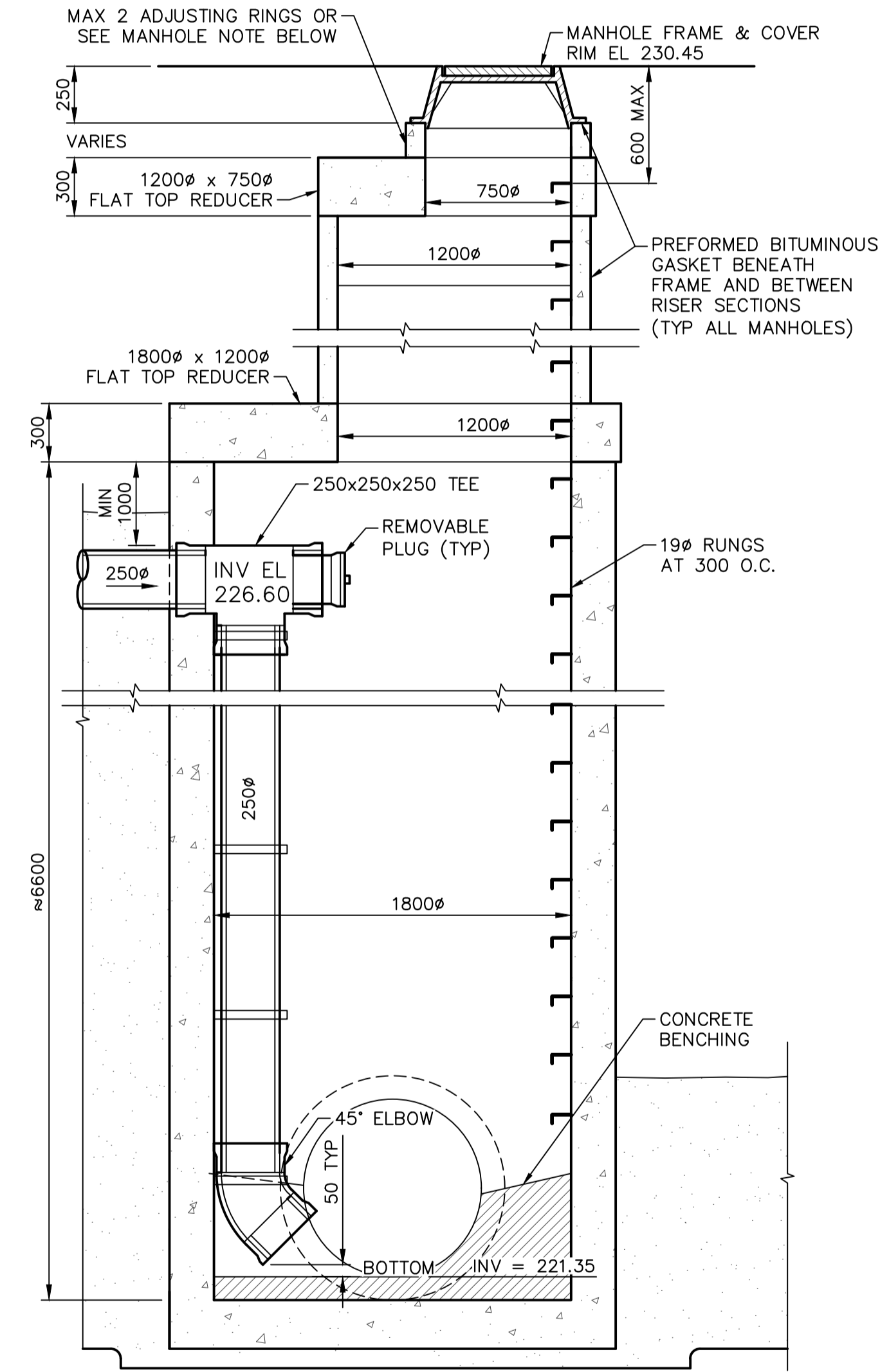
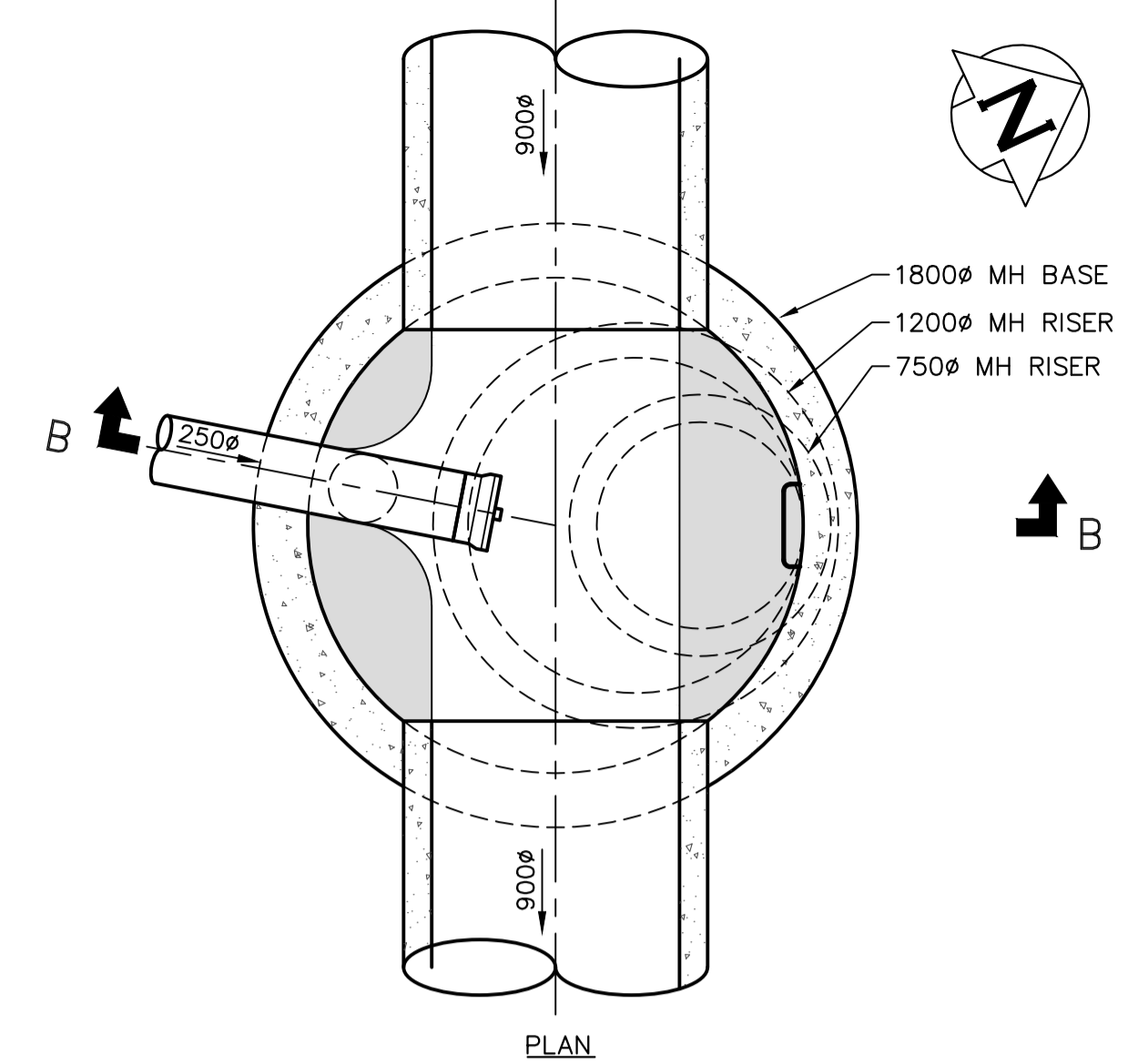
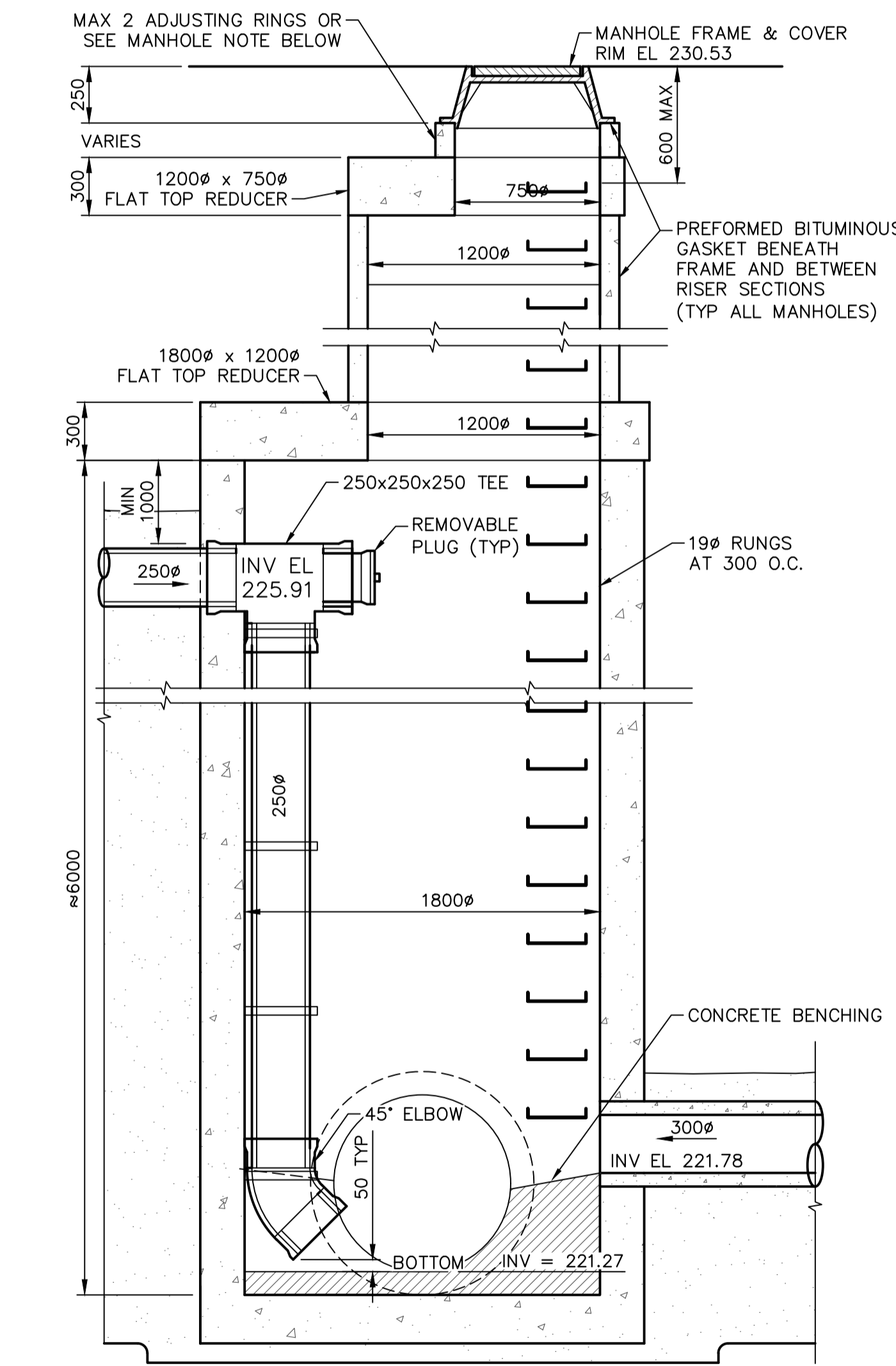
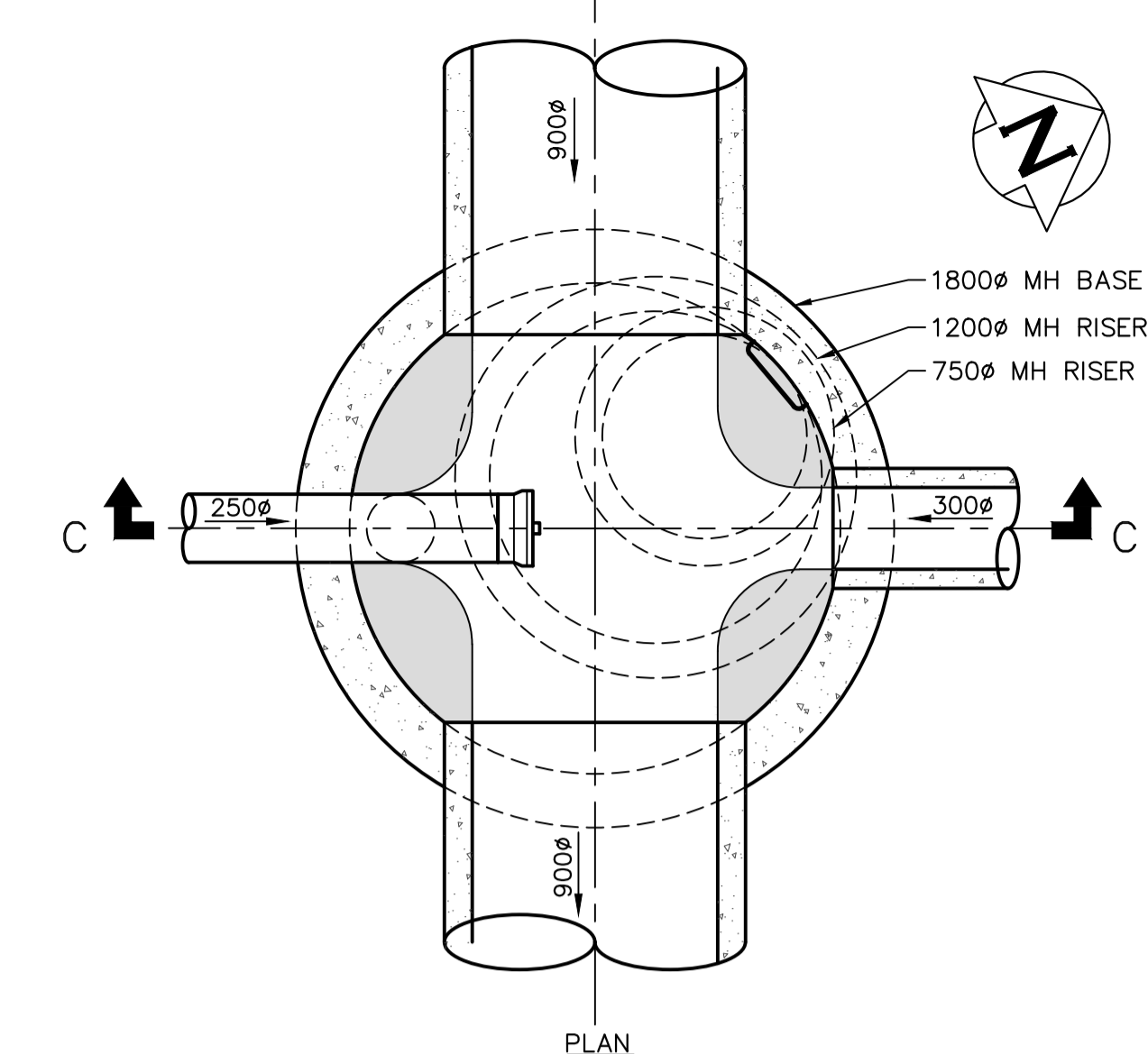


**1800 $\phi$  INTERNAL DROP MANHOLE  
MH 1-33**  
SCALE 1:25



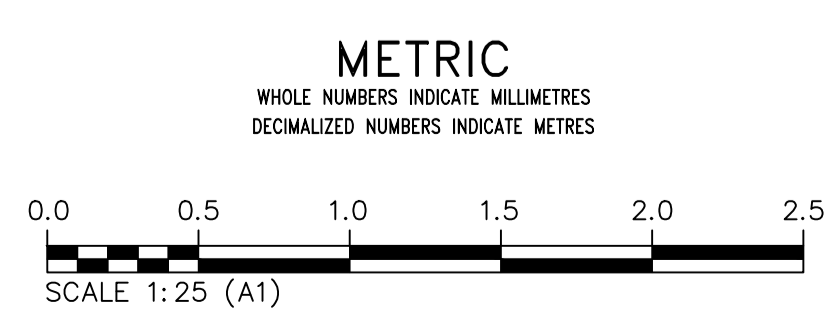
**1800 $\phi$  INTERNAL DROP MANHOLE  
MH 1-35**  
SCALE 1:25



**1800 $\phi$  INTERNAL DROP MANHOLE  
MH 1-38**  
SCALE 1:25

**MANHOLE NOTE:**  
ALL MANHOLES WITHIN THE PLANNED ROAD RENEWAL ON LEILA AVENUE AND MCGREGOR STREET SHALL HAVE 300mm HIGH 750 DIA. MANHOLE BARREL SECTION AND A 50mm ADJUSTING RING UNDER THE FRAME TO ALLOW FOR RIM ADJUSTMENTS DURING ROAD RENEWAL

FOR INDEX PAGE  
SEE DWG 13643



LOCATION APPROVED UNDERGROUND STRUCTURES		VERTICAL DATUM: CGVD28 (HT2.0 Geoid)	
HORIZONTAL DATUM: NAD83 (June 1990), Zone 14			
SUPV. U/G STRUCTURES COMMITTEE	DATE	DESIGNED BY: MID	CHECKED BY: TLE
NOTE:		DRAWN BY: GEL	APPROVED BY: RBO
LOCATION OF UNDERGROUND STRUCTURES AS SHOWN ARE BASED ON THE BEST INFORMATION AVAILABLE BUT NO GUARANTEE IS GIVEN THAT ALL EXISTING UTILITIES ARE SHOWN OR THAT THE GIVEN LOCATIONS ARE EXACT. CONFIRMATION OF EXISTENCE AND EXACT LOCATION OF ALL SERVICES MUST BE OBTAINED FROM THE INDIVIDUAL UTILITIES BEFORE PROCEEDING WITH CONSTRUCTION.		SCALE: HORIZONTAL AS NOTED VERTICAL AS NOTED	RELEASED FOR CONSTRUCTION DUANE BAKER DATE: 2026/03/12
0 ISSUED FOR CONSTRUCTION	2026/03/10	DATE	DATE
NO.	REVISIONS	DATE (MM/YY/20)	BY

**KGS GROUP**

ENGINEER'S SEAL

ORIGINAL DRAWING SEALED BY:  
M.A. IANKOVA-DEDOVA  
2026/03/11

CONSULTANT DRAWING NUMBER  
C1-41

**THE CITY OF WINNIPEG**  
WATER AND WASTE DEPARTMENT  
ENGINEERING SERVICES DIVISION

**ARMSTRONG SEWER RELIEF WORKS**  
CONTRACT 1  
**MANHOLE DETAILS**  
SHEET 2

SHEET 38 OF 46  
CITY DRAWING NUMBER  
13682

